

V-Blade Controls

Become familiar with all the controls before you operate the plow.

Joystick Controller

The joystick controller operates the movement of the snowplow. You can rotate the Raise/Lower switch for right or left hand operation by pulling up the joystick and rotating it to the desired position.

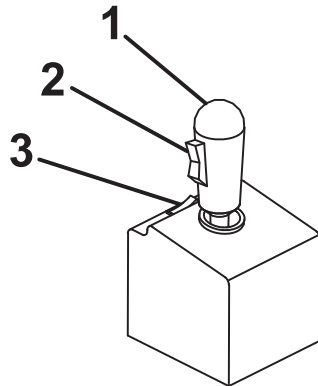


Figure 11

g230716

- 1. Joystick
 - 2. Raise/Lower switch
 - 3. On/Off switch
-

- On/Off switch—turns the plow controller on and off. A red light illuminates when the controller is on.
Note: Turn off the controller when not in use to prevent accidental activation of the plow.
- Raise/Lower switch—raises or lowers the plow blade. Press the switch up to raise the plow. Press the switch down to lower the plow.
- Directional joystick—controls the direction that the plow moves
 - To activate the Float feature, press the Raise/Lower switch down until it clicks into the detent position, allowing the plow blade to follow the contour of the ground. The switch stays in the Float position until it is pressed up again.
 - To move the right plow wing out, push the joystick diagonally right and forward.
 - To move the left plow wing out, push the joystick diagonally left and forward.
 - To make the scoop shape with the plow, move both wings out and push the joystick forward.